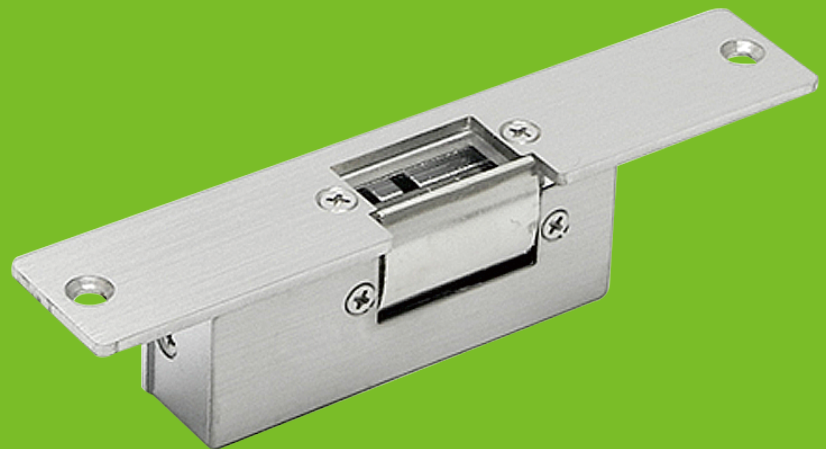


## Narrow-type Electric Strike lock



ES-130A/130B

ES-130A: Fail-secure type (Power to unlock)

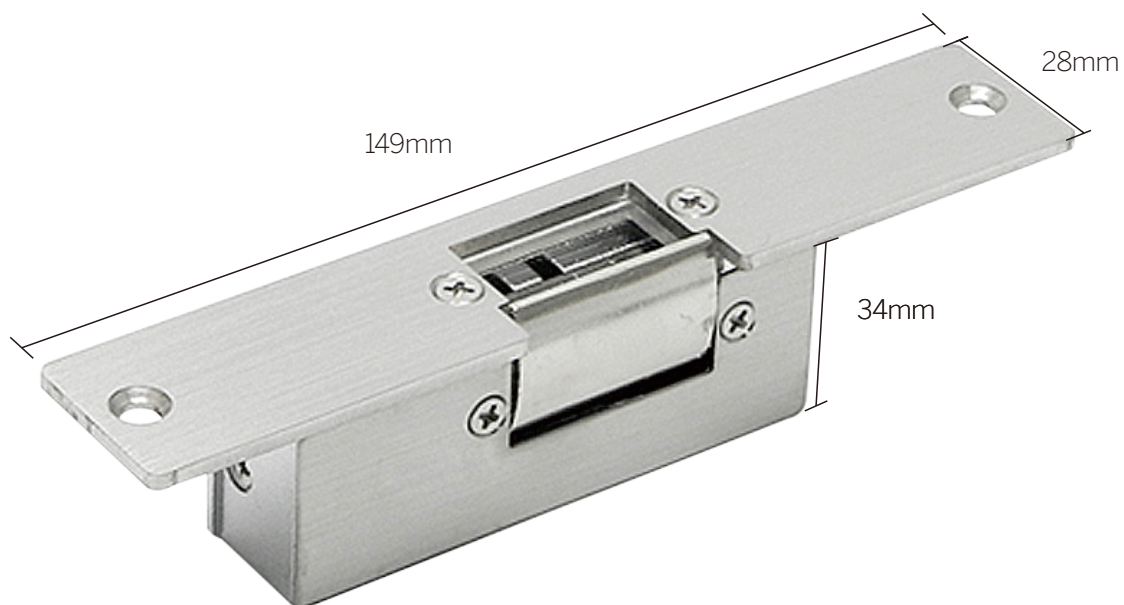
ES-130B: Fail-safe type (Power to lock)

### Specifications

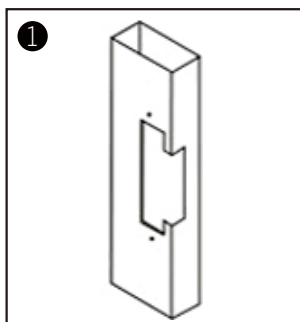
Lock Size	149x28x34mm
Holding Strength	250kg
Bolt structure	Stainless Steel
Voltage	12VDC
Current	240mA(ES-130A) / 120mA(ES-130B)
Surface Temperature	Within +20°C
Suitable Temperature	-10°C~25°C(14°F-131°F)
Face plate Housing	Painted Steel
Bolt Housing	Stainless steel, Draw the Polishing of silk
Function	Built-out MOV
Suitable For	Wooden Door, Metal Door, PVC Door
Opening Mode	90 Degree Swinging Door
Weight	0.3kg
Standard Packing	60pcs/box

## Dimensions

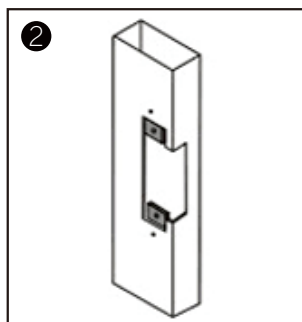
149Lx28Wx34H(mm)



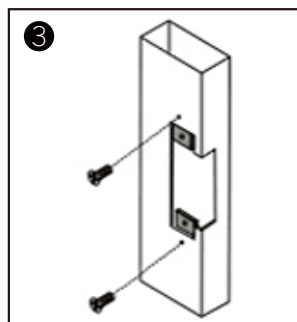
## Installation



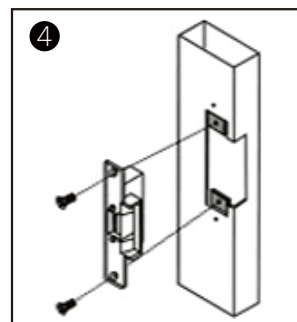
1 Cutting according to the size of the electric lock



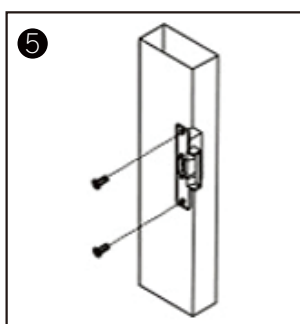
2 Insert extension plate



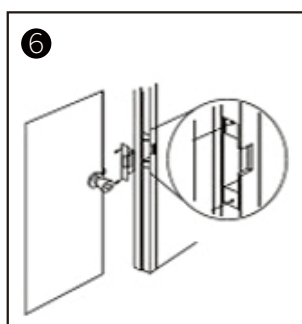
3 Fix extension plate



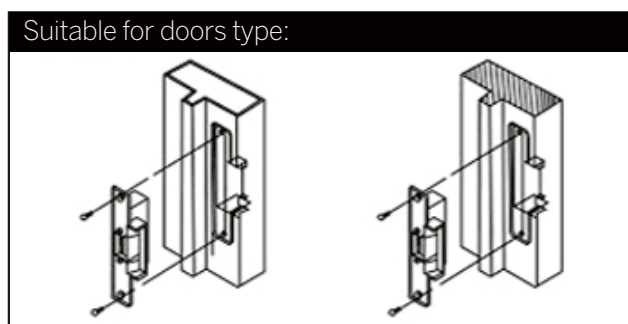
4 After installed, power on and test it



5 Fix strike lock



6 Finish



Metal door frame

Wooden door frame



S4A Industrial Co., Limited

Address: 6th Floor, Haotai Industrial Zone, Minzhi road,  
Longhua District, Shenzhen. CN 518131

Tel: +86 755 29450011

[www.s4a-access.com](http://www.s4a-access.com) / Email: [sales@s4a-access.com](mailto:sales@s4a-access.com)  
Mob/Whatsapp/Wechat/Viber: +86 134 1050 0721